

Technical Data Sheet

EJOT FRP RO 2''



Product Information

The 2'' plate attaches insulation, coverboard, or any component below the membrane to the substrate. The 2'' washer may be used with manufactured hex head fasteners, Phillips head fasteners, or square drive fasteners

Method of Application

1. The EJOT flat roof plate can be installed using a screw gun. Make sure plates are placed within the seam area the ridges pointing out.
2. An EJOT fastener can then be used to attach the plate on to correct seam location once it is placed.

Storage

Store in original, unopened packaging and protect from weather.

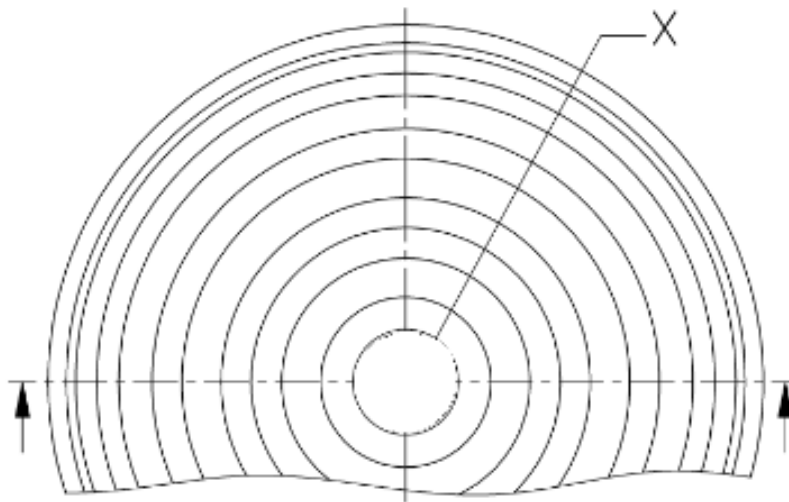
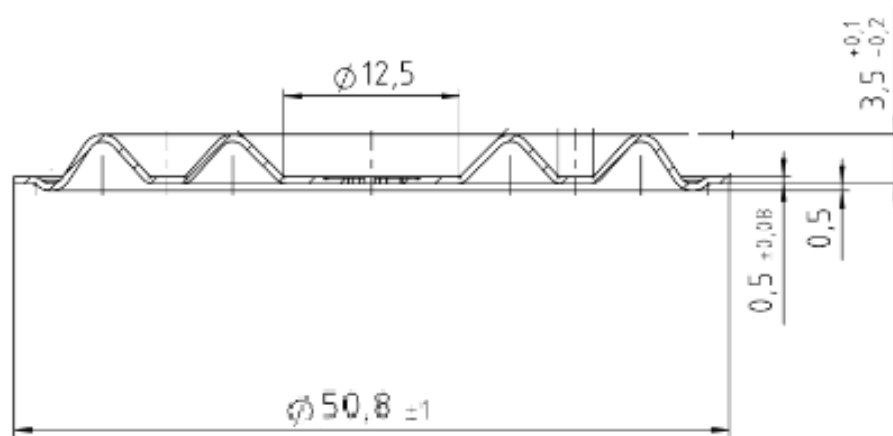
Precautions

Eye protection must be worn during the installation of the fasteners with the plates.

Product Properties

Property	Performance
Material	AZ 150
Plate Thickness	0.020''
Size	2'' diameter (0.276'' inside diameter)
Inside Hole Diameter	0.276''
Corrosion test	15 cycles without reduct. Parts must be dry and free of grease

Technical Data Sheet



Contact EJOT Construction Fastening Systems Inc. for more information at 556 499 9977.

The data sheet highlights EJOT products and specifications and is subject to change without notice. EJOT takes responsibility for furnishing quality materials which meet published EJOT product specifications. Neither EJOT nor its representatives practice architecture. EJOT accepts no liability for structural failure or resultant damages. Consult a competent structural engineer prior to installation if the structural soundness or structural ability to properly support a planned installation is in question. No EJOT representative is authorized to vary this disclaimer.