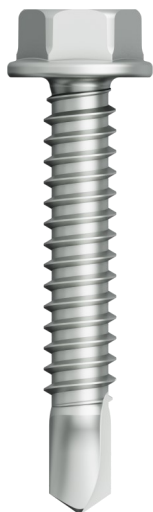


EJOT Self Drilling Screw JT3-DP3 #10-16xL



Product Specifications

- > Threads Per Inch: 16
- > Head Style: Hex Head
- > Material: Austenitic Steel A2/Steel
- > Drill Capacity: 0.036" - 0.175"
- > Thread Major Dia: 0.148" (4.8 mm)
- > Thread Minor Dia: 0.189" (3.75 mm)
- > Corrosion protection: Salt spray 1000 hrs without red rust per ASTM B117

Installation and Application

1. Do not use impact drivers.
2. The fasteners can be engaged in a steel substrate using a 5/16" Hex drive and a clutch screw gun. The fastener should be installed with 0-2000 rpm max. Be cautious as not to over drive the fastener and make sure that the thread is engaged with the base material.
3. To have enough penetration, ensure that first three full threads behind the drill point protrude through the base material.

Storage

Fasteners should be stored in the original packaging.

Precautions

Always use eye protection to reduce safety risks.

Certifications

ICC-ES Report ESR-4849



Product Properties

Steel gauge	Ultimate Pull Out Strength (lbf)	Steel gauge	Ultimate Pullover Strength (lbf)	Ultimate Tensile Test Strength (lbf)	Ultimate Shear Strength (lbf)
22ga	115	26ga	453	1612	1211
16ga	468	16ga	1991		
1/8"	1276	3/16"	1875		

EJOT Self Drilling Screw JT3-DP3 #10-16xL

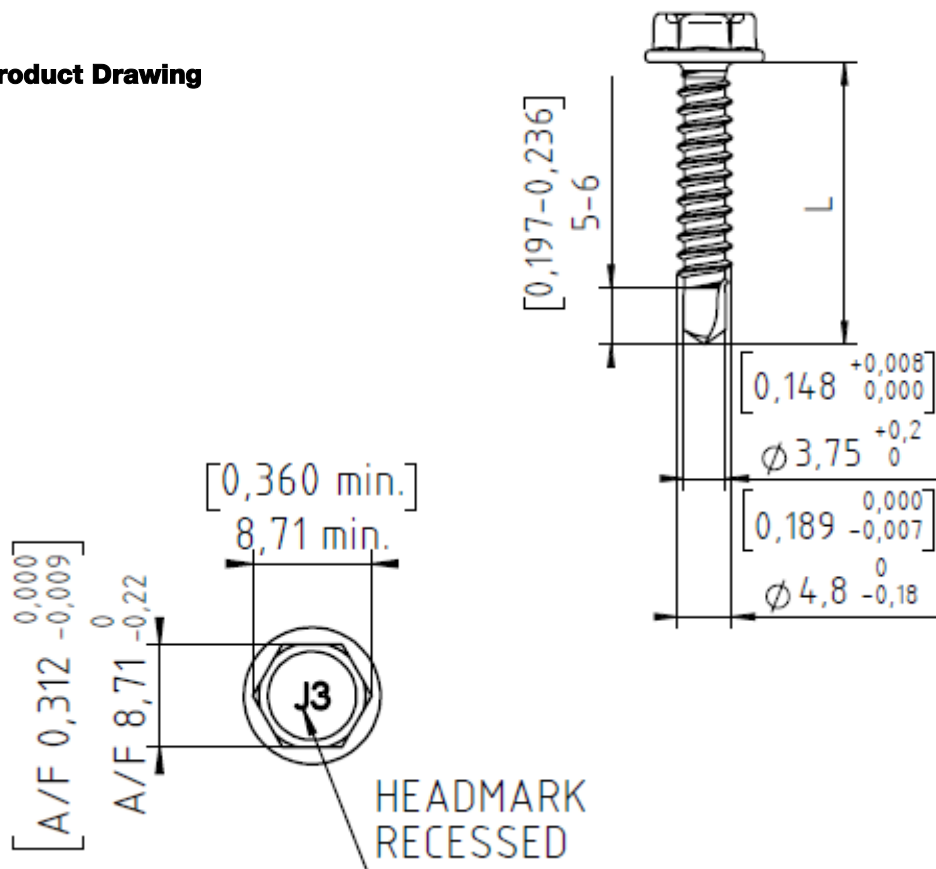
Product Properties

Steel gauge	Lap shear (lbf)
26G/26G	305
26G/22G	361
26G/18G	318
26G/14G	230
26G/1-8"	328
18G/26G	556
18G/22G	894
18G/18G	1136
18G/14G	1136
18G/1-8"	1354
14G/14G	1440
12G/26G	423
12G/22G	899
12G/18G	1672

Product Selection

Order Description	Length (L) Inch	Thread Length (L1) inch	Part No.
JT3-DP3 #10-16 X 3/4"	3/4"	Fully threaded	3555554352
JT3-DP3 #10-16 X 1"	1"	Fully threaded	3555554353
JT3-DP3 #10-16 X 1-1/2"	1-1/2"	Fully threaded	3555554355

Product Drawing



The data sheet highlights EJOT products and specifications. The mentioned values are subject to change without notice and are based on tested samples that may vary within applicable tolerances. EJOT takes responsibility for ensuring that the quality materials meets published EJOT product specifications. EJOT does not accept any liability for structural failure or resultant damages. A structural engineer should be consulted with before installation to ensure structural soundness or structural ability. No EJOT representative is authorized to vary this disclaimer.

EJOT Self Drilling Screw JT3

Applications and Properties

- > JT3 is designed to drill quickly, easily, and consistently into 0.036" to 0.187"
- > Available in lengths from 3/4" to 1-1/2" and is available with DB/s extra thick 5 micron electro zinc plating or in DB's Mag Life Coating
- > Available with or without our EPDM Sealing Washer bonded to Galvanized Steel back to help prevent leaks.



Article number	Size	Head Diameter (inch)	Drill Point	Head Size	Head Style	Drilling Capacity (inch)
355555355	10-16 X 1-1/2*	0.370	3	2	PFH	0.036-0.175
355555252	10-16 X 3/4	0.370	2	2	PPH	0.030-0.110
355555253	10-16 X 1	0.370	2	2	PPH	0.030-0.110
355555263	10-16 X 1	0.440	2	2	PPCH	0.030-0.110
355554352	10-16 X 3/4	0.410	3	5/16	Hex	0.036-0.175
355554353	10-16 X 1	0.410	3	5/16	Hex	0.036-0.175
355554355	10-16 X 1-1/2	0.410	3	5/16	Hex	0.036-0.175
355555373	12-14 X 1	0.420	3	3	PUFH	0.036-0.175
355555374	12-14 X 1-1/4	0.420	3	3	PUFH	0.036-0.175
355555375	12-14 X 1-1/2	0.420	3	3	PUFH	0.036-0.175
355554273	12-14 X 1	0.410	2	5/16	Hex	0.030-0.110
355554275	12-14 X 1-1/2	0.410	2	5/16	Hex	0.030-0.110
355554276	12-14 X 2	0.410	2	5/16	Hex	0.030-0.110
355554277	12-14 X 2-1/2	0.410	2	5/16	Hex	0.030-0.110
355554373	12-14 X 1	0.410	3	5/16	Hex	0.036-0.175

EJOT Self Drilling Screw JT3

Article number	Size	Head Diameter (inch)	Drill Point	Head Size	Head Style	Drilling Capacity (inch)
3555554374	12-14 X 1-1/4	0.410	3	5/16	Hex	0.036-0.175
3555554375	12-14 X 1-1/2	0.410	3	5/16	Hex	0.036-0.175
3555554376	12-14 X 2	0.410	3	5/16	Hex	0.036-0.175
3555554377	12-14 X 2-3/4	0.410	3	5/16	Hex	0.036-0.175
3555554378	12-14 X 3-1/2	0.410	3	5/16	Hex	0.036-0.175
3555554379	12-14 X 4-3/8	0.410	3	5/16	Hex	0.036-0.175
3555554283	12-14 X 1	0.460	2	TX25	BH	0.030-0.110
3555554286	12-14 X 2	0.460	2	TX25	BH	0.030-0.110
3555554383	12-14 X 1	0.460	3	TX25	BH	0.036-0.175
3555554384	12-14 X 1-3/8	0.460	3	TX25	BH	0.036-0.175
3555554385	12-14 X 1-1/2	0.460	5	TX25	BH	0.125-0.500
3555555273	12-14 X 1	0.420	2	3	PUFH	0.030-0.110
3555555274	12-14 X 1-1/4	0.420	2	3	PUFH	0.030-0.110
3555555275	12-14 X 1-1/2	0.420	2	3	PUFH	0.030-0.110
3555554585	12-24 X 1-3/4	0.410	5	5/16	Hex	0.125-0.500
3555554587	12-24 X 2-1/4	0.410	5	5/16	Hex	0.125-0.500
3555554588	12-24 X 3	0.410	5	5/16	Hex	0.125-0.500
3555554589	12-24 X 4	0.410	5	5/16	Hex	0.125-0.500
3555555575	12-24 X 1-3/4*	0.420	5	3	PFH	0.125-0.500
3555555577	12-24 X 2-1/2*	0.420	5	3	PFH	0.125-0.500
3555555578	12-24 X 2-13/16*	0.420	5	3	PFH	0.125-0.500
3555555298	1/4-14 X 3	0.420	3	3	PUFH	0.036-0.175
3555555299	1/4-14 X 4	0.420	3	3	PUFH	0.036-0.175

EJOT Self Drilling Screw JT3

Article number	Size	Head Diameter (inch)	Drill Point	Head Size	Head Style	Drilling Capacity (inch)
3555554393	1/4-14 X 1	0.500	3	3/8	Hex	0.036-0.175
3555554395	1/4-14 X 1-1/2	0.500	3	3/8	Hex	0.036-0.175
3555554396	1/4-14 X 2	0.500	3	3/8	Hex	0.036-0.175
3555554397	1/4-14 X 2-1/2	0.500	3	3/8	Hex	0.036-0.175
3555554398	1/4-14 X 3	0.500	3	3/8	Hex	0.036-0.175
3555554399	1/4-14 X 4	0.500	3	3/8	Hex	0.036-0.175
3555554596	1/4-20 X 2	0.500	5	3/8	Hex	0.125-0.500
3555554598	1/4-20 X 3	0.500	5	3/8	Hex	0.125-0.500
3555554599	1/4-20 X 4	0.500	5	3/8	Hex	0.125-0.500
3555554600	1/4-20 X 5	0.500	5	3/8	Hex	0.125-0.500
3555554601	1/4-20 X 6	0.500	5	3/8	Hex	0.125-0.500
3555554602	1/4-20 X 7	0.500	5	3/8	Hex	0.125-0.500
3555554603	1/4-20 X 8	0.500	5	3/8	Hex	0.125-0.500
3555555597	1/4-20 X 2-13/16	0.480	5	3	PFH	0.125-0.500

The data sheet highlights EJOT products and specifications. The mentioned values are subject to change without notice and are based on tested samples that may vary within applicable tolerances. EJOT takes responsibility for ensuring that the quality materials meets published EJOT product specifications. EJOT does not accept any liability for structural failure or resultant damages. A structural engineer should be consulted with before installation to ensure structural soundness or structural ability. No EJOT representative is authorized to vary this disclaimer.